



Stand Alone solution for TGBF series:

- Miniature PC as an add-on to the PI series for stand-alone system of for cable extension via GigE
- Integrated hardware and software watchdog Operating system:
- Installation of additional user software possible
- Status LEDs
- Processor: Intel® E3845 Quad Core / 1.91 GHz, 16 GB SSD, 2 GB RAM
- Connections: 2x USB 2.0, 1x USB 3.0, 1x Mini USB 2.0, Micro HDMI, Ethernet (Gigabit Ethernet), Micro SDHC / SDXC card
- Windows 7 Professional
- Wide supply voltage range (8 – 48 V DC) or Power over Ethernet (PoE)
- Can be integrated with CoolingJacket Advanced

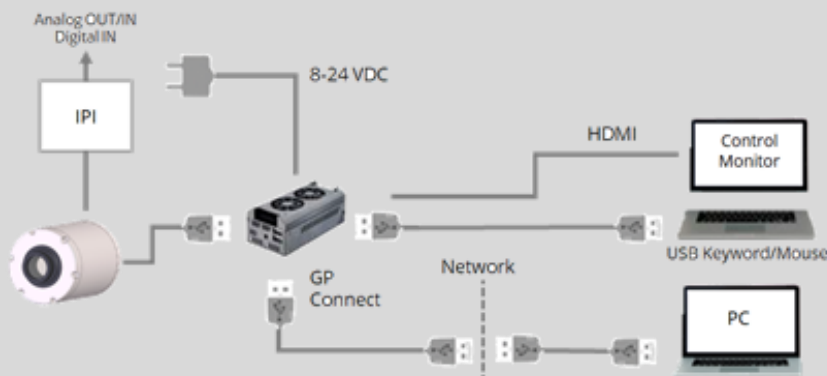
TECHNICAL SPECIFICATIONS

Ambient temperature	0°...50°C [32 ...122°F]
Storage temperature	-20...75°C [-4 ...167°F]
Relative Humidity	10 - 95%, non condensing
Material (housing)	Anodized aluminum
Size	113x57x47 mm
Weight	385 g
Vibration	IEC 60068-2-6 (sinusoidal) / IEC 60068-2-64 (broadband noise)
Shock	IEC 60068-2-27 (25 G and 50 G)
Operating System	Windows 7 Professional

ELECTRICAL SPECIFICATIONS

Voltage supply	8 – 48 V DC or Power over Ethernet (PoE / 1000BASE-T)
Power consumption	7.5 W (+ additional 2.5 W for PI camera)
Cooling	Active via two integrated fans
Module	COM Express® mini embedded board
Processor	Intel® E3845 Quad Core, 1.91 GHz
Hard drive	16 GB SSD
RAM	2 GB (DDR2, 533 MHz)
Connections	2x USB 2.0, 1x USB 3.0, 1x Mini-USB 2.0, Micro-HDMI, Ethernet (Gigabit Ethernet)
Memory card slots	Micro SDHC / SDXC card
Additional features	4x Status-LEDs

STAND-ALONE SOLUTION WITH GigE REMOTE ACCESS



For further information as well as the product configurator, please visit <https://www.gruppopedercini.com/divisions/healthcare/>