



Features:

- Industrial process interface with 3 analog /alarm outputs, 2 analog inputs, 1 digital input, 3 alarm relays
- 500 V ACRMS isolation voltage between camera and process
- Separate fail-safe relay output
- TGBF1 hardware including all cable connections and GP Connect software are permanently observed during operation

TECHNICAL SPECIFICATIONS

Protective rating	IP65 (NEMA-4)
Ambient temperature	-30...85°C [-22...185°F]
Storage temperature	-30...85°C [-22...185°F]
Humidity	10 - 95 %
Vibrational stability	IEC 60068-2-6 (non-condensing)/ IEC 60068-2-64 (broadband noise)
Shock stability	IEC 60068-2-27 (25 G and 50 G)
Weight	610 g (with 5 m HT cable)

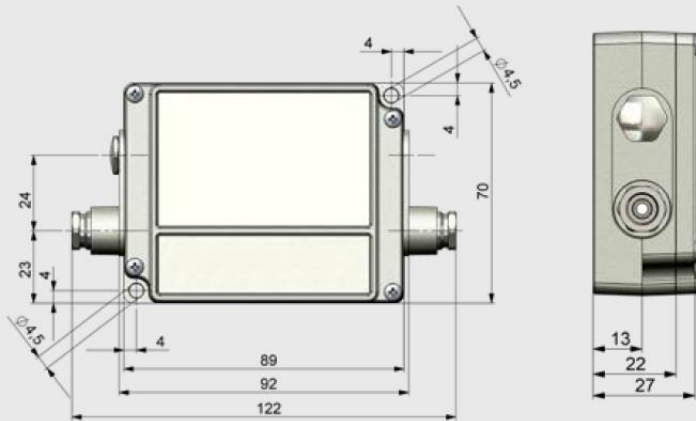
ELECTRICAL

Power Supply	5-24 VDC
LED display	2 green LEDs for voltage and fail-safe / 3 red LEDs for status of alarm relays
Isolation	500 V ACRMS between camera and process
Outputs	3 analog- / alarm outputs /3 alarm relays ¹
Inputs	2 analog inputs / 1 digital input
Ranges	0/4-20 mA (for AO 1 - 3) ² 0 - 30 V / 400 mA (for alarm relays DO1 - 3) / 0 - 10 V (for AI 1 - 2) 24 V (for DI)

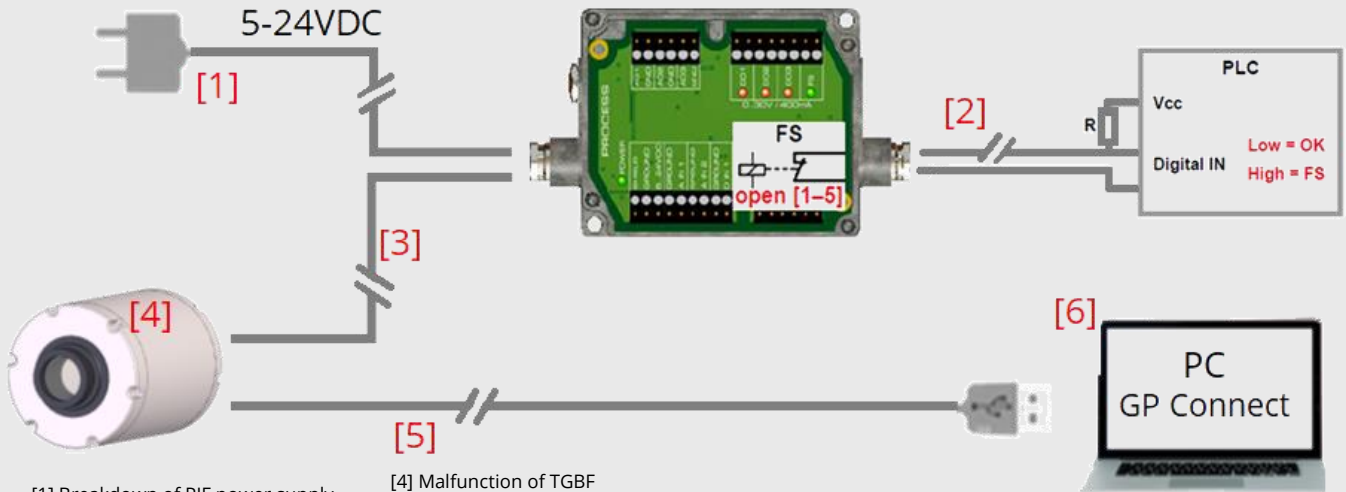
PROGRAMMABLE FUNCTIONS

Analog Inputs	<ul style="list-style-type: none"> • Emissivity settings • Reference temperature • Triggered snapshots, recordings, line scan camera, event grabber 	<ul style="list-style-type: none"> • Ambient temperature compensation • Uncommitted value • Flag control • Reset peak-/valley hold
Digital Inputs	<ul style="list-style-type: none"> • Flag control • Triggered snapshots, recording, line scan camera, event grabber 	<ul style="list-style-type: none"> • Reset peak-/valley hold
Analog Outputs	<ul style="list-style-type: none"> • Main measurement range • Measurement range • Internal temperature • Flag status 	<ul style="list-style-type: none"> • Alarm • Frame <u>synchronisation</u> • Fail-safe • External communication

DIMENSIONAL



Example for a fail-safe monitoring of the TGBF with connected PLC



- [1] Breakdown of PIF power supply
- [2] Cable break of fail-safe cable
- [3] Interruption of cable TGBF - TGIPI
- [4] Malfunction of TGBF
- [5] Breakdown of TGBF power supply
- [6] Malfunction of Software

Snapshot of programmable features

